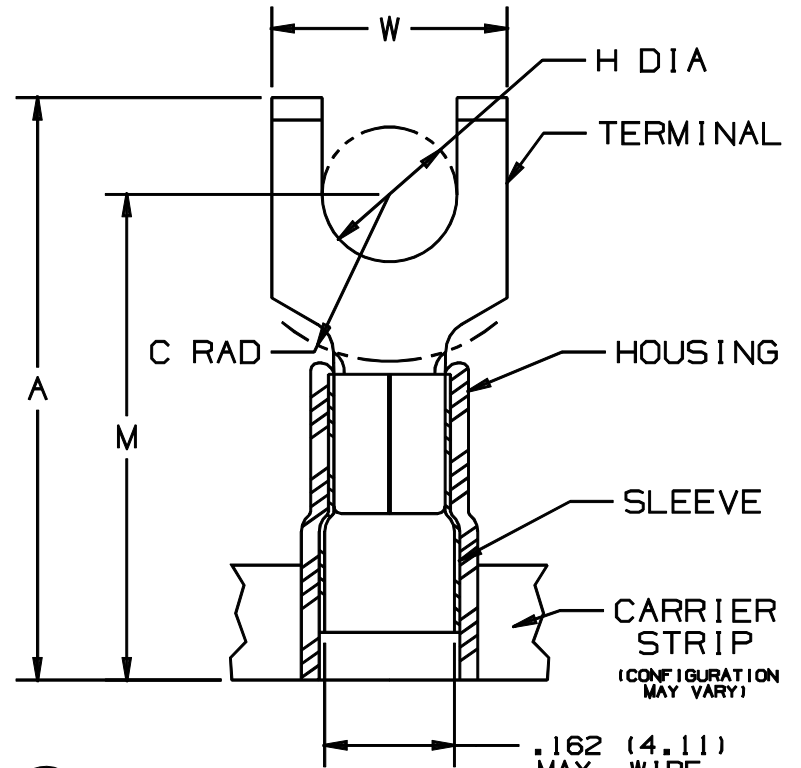


THIS COPY IS PROVIDED ON A RESTRICTED BASIS AND IS NOT TO BE USED IN ANY WAY DETRIMENTAL TO THE INTERESTS OF PANDUIT CORP.

PANDUIT PART NUMBER	STUD SIZE	DIMENSIONS in.				
		A $\pm .030$	W $\pm .010$	C $\pm .020$	M $\pm .030$	H $\pm .010$
PN14-6FF-3K	#6	.80 (20.32)	.28 (7.11)	.19 (4.83)	.64 (16.26)	.15 (3.81)
PN14-8FF-3K	#8	.87 (22.09)	.31 (7.87)	.23 (5.84)	.68 (17.27)	.17 (4.32)
PN14-10FF-3K	#10	.87 (22.09)	.35 (8.89)	.23 (5.84)	.68 (17.27)	.20 (5.08)

NOTES :

- UL LISTED AND CSA CERTIFIED FOR :
 - 600 V MAX. VOLTAGE RATING
 - 221°F (105°C) MAX. TEMP. RATING
 - #16-14 AWG (1.3-2.0 mm²) SOLID OR STRANDED, COPPER WIRE
- PACKAGE QTY. : 3K = 3000 PCS.
CONTINUOUS MOLDED CARRIER STRIP
- MATERIAL :
 - STAMPING - .03" THK COPPER, TIN PLATED
 - HOUSING - BLUE NYLON
 - SLEEVE - BRASS, TIN PLATED
- DIMENSIONS IN BRACKETS ARE IN MILLIMETERS
- INSTALLATION TOOLS :
 - PRESSES - CP-851, CP-860, CP-861
 - APPLICATOR - CA-800
 - DIE INSERTS - CD-800-2
- WIRE STRIP LENGTH: $7/32^{+1/32}_{-0}$ (5.6⁺⁸₋₀)

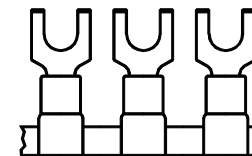


LISTED
587H
E52164



CERTIFIED
LR31212

.162 (4.11)
MAX. WIRE
INSUL DIA.
.080 (2.03)
MIN. WIRE
INSUL DIA.



A41092_05

05	12/00	ED		FILESPEC WAS: N41092AA_PCD_04	08925		
04	11/96	JB		ADDED DIM ".080(2.03)MIN WIRE DIA.	05421		
03	09/96	TSM	RLS	REVISE DIMS AND TOLERANCES	05068	DRH	
--	----	--	--	ADDED NOTE #6	----	--	--
02	12/92	DL	DL	PN14-8FF-3K: A WAS .89 (22.61),	01299	KS	LA
--	----	--	--	PN14-10FF-3K: A WAS .89 (22.61),	----	--	--
--	----	--	--	W WAS .38 (9.65), FILESPEC WAS A41092A	----	--	--
REV	DATE	BY	CHK	DESCRIPTION	ECN	PM	CUST

PANDUIT

CORP.

TINLEY PARK, ILLINOIS

TERMO 3PC. CONTINUOUSLY MOLDED NYLON INSULATED, #16-14 BARREL, FLANGED FORKS

DRAWN BY FES CHK'D FS SCALE NONE DRAWING NO A41092